

HSF

Recommended P.C.B Layout (Top Side)
(PCB BOARD TOLERANCE ±0.05)

NOTES:

Current Rating:10A
Voltage Rating:150V
Contact Resistance:8milliohm Max
Withstand Voltage:AC/DC 1000V
Insulation Resistance:500Megohm Min
Screw Torque: 2.0 lbf.in
Wire range: 16AWG-26AWG

Housing Material:PBT UL94V-0
Screw:Steel
Contact:Brass
Spring:SUS301

Ordering Information:

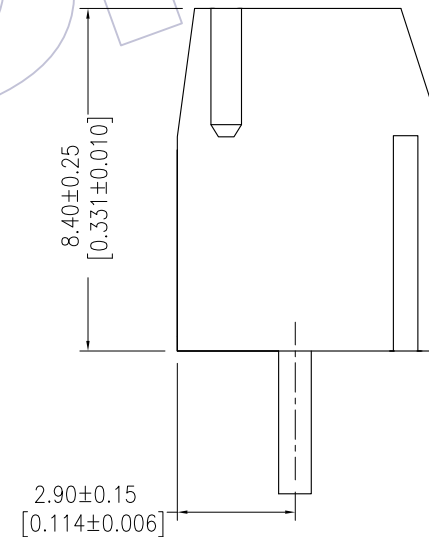
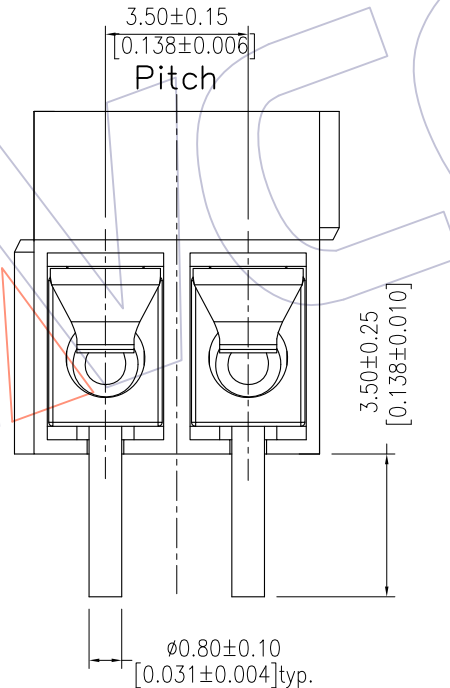
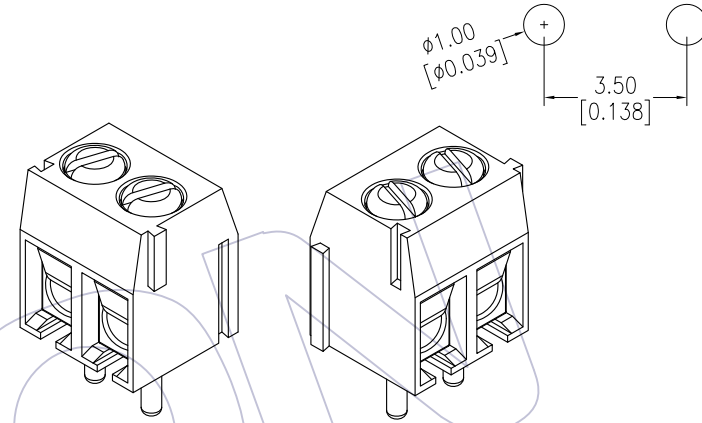
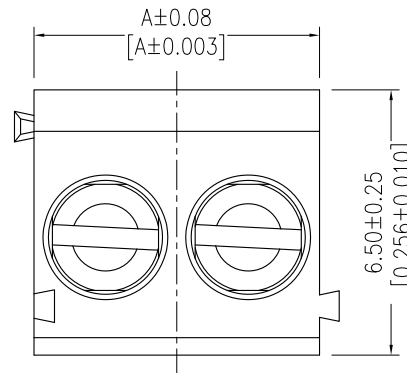
A H 350 - 084 S XX U SN 1 N


Pitch 350=3.50 Housing High 084=8.40 No.of Pins 02-20P Color U=Blue Contact Plated SN=Bright Tin



NOTE:
4P=2P+2P
5P=2P+3P
6P=3P+3P
7P=2P+2P+3P
8P=3P+3P+2P
9P=3P+3P+3P
10P=3P+3P+2P+2P
11P=3P+3P+3P+2P
12P=3P+3P+3P+3P
13P=3P+3P+3P+2P+2P
14P=3P+3P+3P+3P+2P
15P=3P+3P+3P+3P+3P
16P=3P+3P+3P+3P+2P+2P
18P=3P+3P+3P+3P+3P+3P
19P=3P+3P+3P+3P+3P+2P+2P
20P=3P+3P+3P+3P+3P+3P+2P

PINS	DIM A
2P	7.00
3P	10.50



		OPERATION		DRAW		DATE		SCALE		FIT		PART NO.		 Http: www.wcon.com	
		X.X	±0.40	Surong Xu		16/12/14		UNIT	mm	AH350-084SXXUSN1N		TITLE:			
A1	16/12/14	ADD NOTE		CHECK		DATE		SIZE	A4	3.50mm Pitch Euro Terminal Blocks With Wire Protection 180° DIP		WCON-Dongguan		WCON-Kunshan	
AO	13/01/12	NEW		APPROVE		DATE		SHEET	1/1	Customer NO.		Tel: +86 769 85358920		Tel: +86 512 57468408	
REV	DATE	MODIFICATION DESCRIPTION		CHANGE	Angle	± 3°		PROJ.				Fax: +86 769 85358915		Fax: +86 512 57468468	
					DIM	TOL						E-mail: sales@wcon.com		E-mail: salesks@wcon.com	