

# HSF

NOTES:  
 Current Rating: 1.0AMP  
 Contact Resistance: 20mΩ Max  
 Withstand Voltage: 500V AC/DC  
 Insulation Resistance: 1000MΩ Min  
 Operation Temperature: -40°C to +105°C

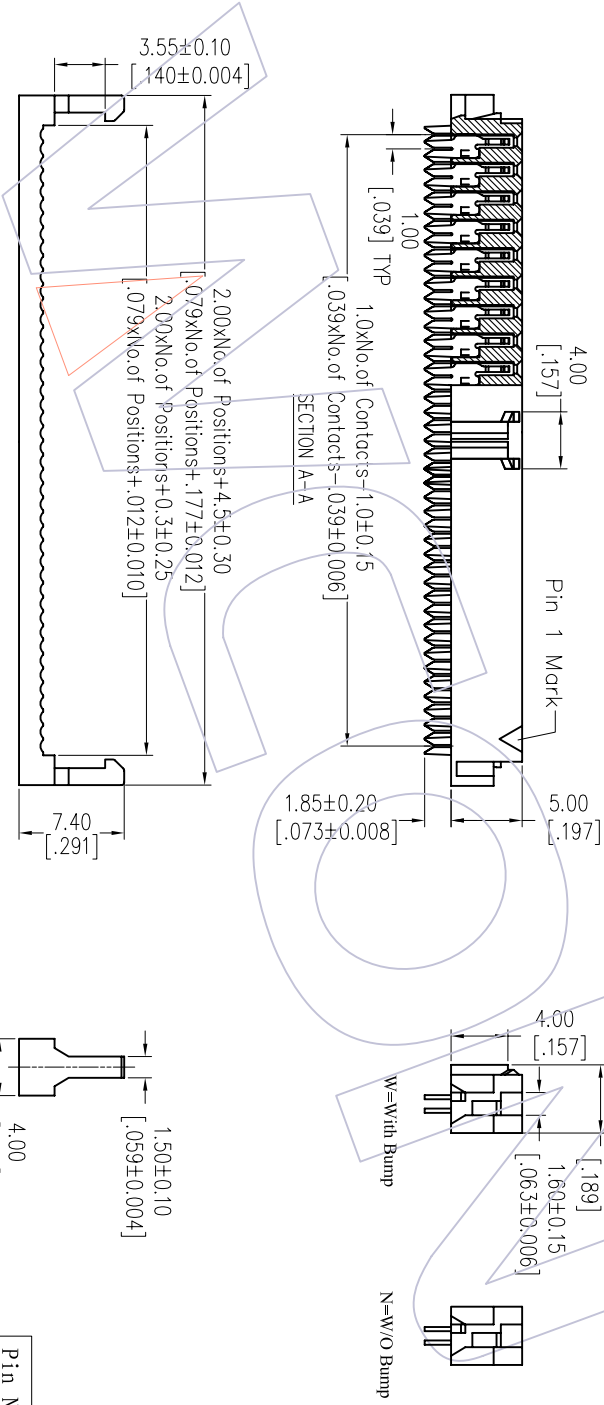
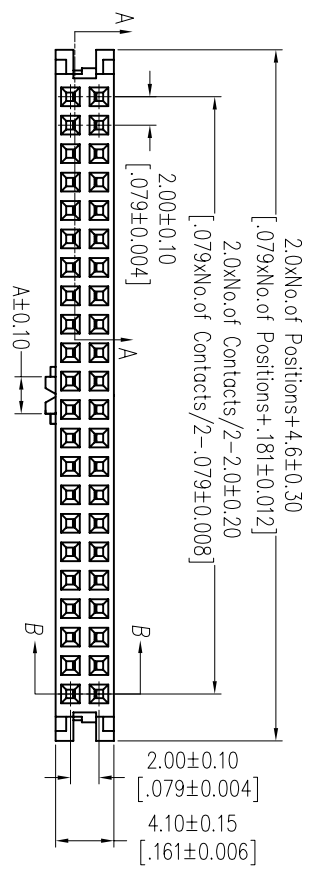
Contact Material: Phosphor Bronze  
 Contact plating: Au Or Sn over Ni  
 Insulator Material: PBT+30%G.F UL94V-0

## Ordering Information

5224-XX YP XX B X 01

- |             |                  |                 |             |
|-------------|------------------|-----------------|-------------|
| No. of Pins | Contact Plating  | Color Insulator | Bump        |
| 06P 26P     | S0=Gold Flash/Ni | B=Black         | N=W/O Bump  |
| 08P 30P     | S3=10u"Gold/Ni   | G=Grey(427C)    | W=With Bump |
| 10P 34P     | S4=15u"Gold/Ni   | E=Grey(413C)    |             |
| 12P 36P     | S5=30u"Gold/Ni   |                 |             |
| 14P 40P     | SN=7m            |                 |             |
| 16P 44P     |                  |                 |             |
| 18P 50P     |                  |                 |             |
| 20P 60P     |                  |                 |             |
| 22P 64P     |                  |                 |             |
| 24P         |                  |                 |             |

Item	Pitch	Mating
Standard	2.00	3122
Alternate		



Pin No.	DIM "A"
8P ~ 64P	2.60
6P	2.00

REV	DATE	MODIFICATION DESCRIPTION
A0	2012/10/10	NEW

OPERATION	DRAW	DATE	SCALE	FIT
XX	JYhuang	2012/10/10	UNIT	mm
XX	CHECK	DATE	SIZE	A4
XXXX	± 0.25		SHEET	1/1
Angle	± 0.15		PROJ.	
DIW	± 3'	APPROVE	DATE	
CHANGE				

PART NO.	5224-XXYPXXBX01
TITLE:	2.00 IDC SOCKET (F TYPE)
Customer NO.	

**WCON**

Http: [www.wcon.com](http://www.wcon.com)

WCON-Dongguan Tel: +86 769 85358920 Fax: +86 769 85358915 E-mail: <a href="mailto:sales@wcon.com">sales@wcon.com</a>	WCON-Kunshan Tel: +86 512 57468408 Fax: +86 512 57468468 E-mail: <a href="mailto:sales@wcon.com">sales@wcon.com</a>
---	--