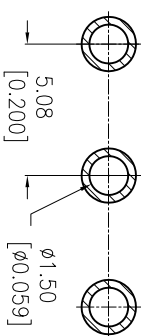
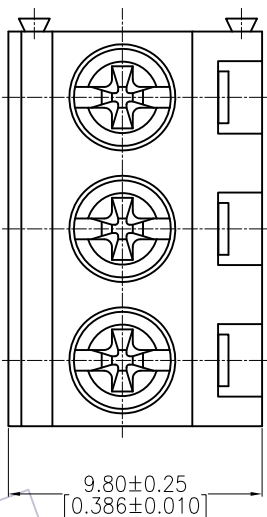
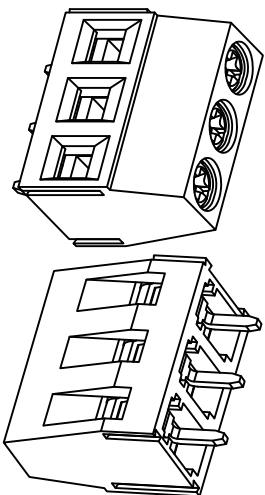


HSF

NOTES:

- Rated Current: 15 AMP
- Rated Voltage: 300 V
- Contact Resistance: 8 mΩ max
- Withstand Voltage: 2500 V AC/DC
- Insulation Resistance: 1000 MΩ min
- Operation Temperature: -40°C to +105°C
- Screw Torque: 4.5 lbf.in
- Wire Range: 12~30 AWG

- Screw Material: Steel
- Pin Block Material: Brass
- Cite Feet Material: Brass
- Cite Feet Plating: Matte Tin Plated
- Insulator Material: PA66 UL94 V-0
- Over Nickel



Recommended P.C.B Layout (Top Side)
(PCB BOARD TOLERANCE ±0.05)

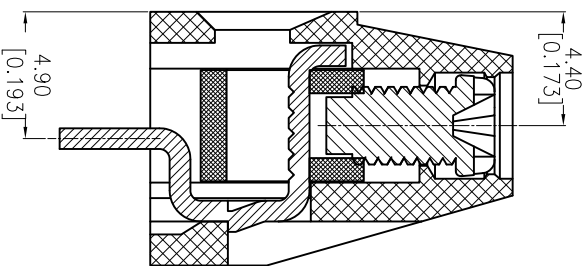
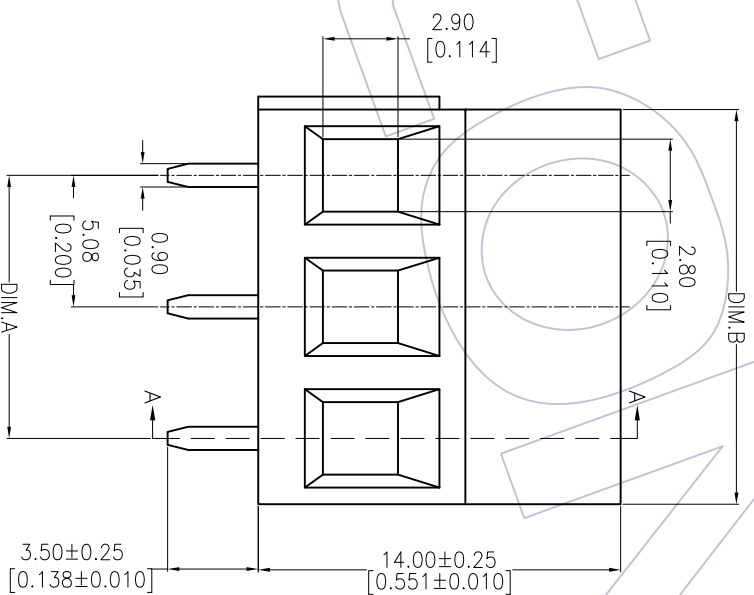
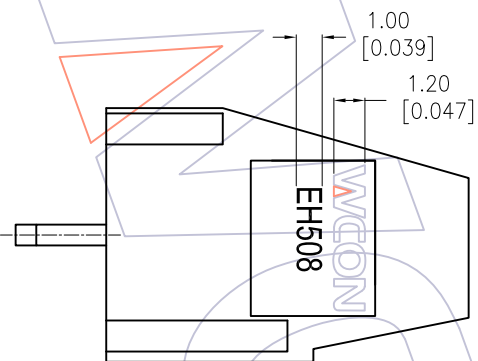
Ordering Information:

E H 508 - 140 S XX A SM 1

Pitch Housing High No. of Pins Color Contact Placed
508=5.08 140=14.00 02=03P A=Green SM=Matte Tin



3P	10.16	15.24
2P	5.08	10.16
PIN	A	B



REV	DATE	MODIFICATION DESCRIPTION	CHANGE	OPERATION	DRAW	DATE	SCALE	FIT	PART NO.	TITLE: 5.08mm Pitch Euro Terminal Blocks Customer NO.	WCON-Dongguan Tel: +86 769 85358920 Fax: +86 769 85358915 E-mail: sales@wcon.com	WCON-Kunshan Tel: +86 512 57468408 Fax: +86 512 57468468 E-mail: sales@wcon.com
A2	2013/07/08	Modify	△△	XX	Tsingn	2013/07/08	mm	A4	EH508-140SXXASM1			
A1	2013/04/25	Modify	△△	XXX	CHECK	DATE	inch	A4				
A0	2013/02/04	NEW	—	XXXX	APPROVE	DATE	SHEET	1/1				
REV	DATE	MODIFICATION DESCRIPTION	CHANGE	Angle	APPROVE	DATE	PROJ.					

WCON

Http: www.wcon.com

WCON-Dongguan
Tel: +86 769 85358920
Fax: +86 769 85358915
E-mail: sales@wcon.com

WCON-Kunshan
Tel: +86 512 57468408
Fax: +86 512 57468468
E-mail: sales@wcon.com