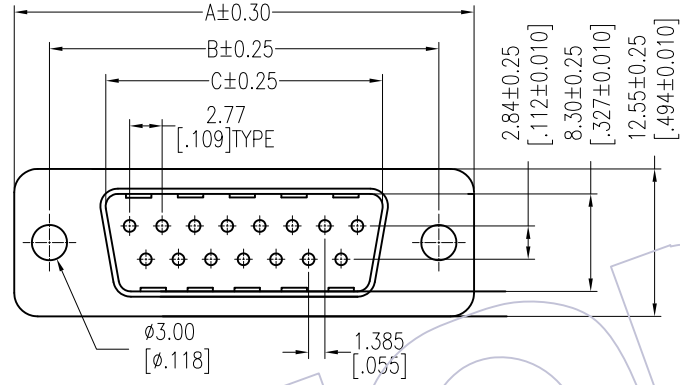


HSF

NOTES:
 Current Rating: 3.0AMP
 Contact Resistance: 30mΩ Max
 Withstand Voltage: 500V AC/DC
 Insulation Resistance: 1000MΩ Min
 Operation Temperature: -55°C to +105°C

Contact Material: Brass Δ
 Contact plating: Au Or Sn over Ni
 Insulator Material: PBT+30%G.F UL94V-0
 Shell: Steel, Sn Or Ni Plated
 Nut: Brass, Sn over Ni Plated

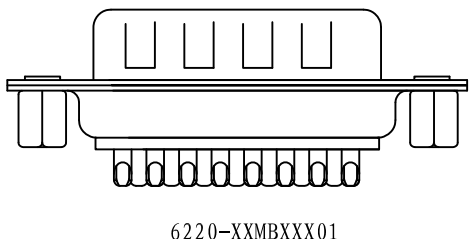
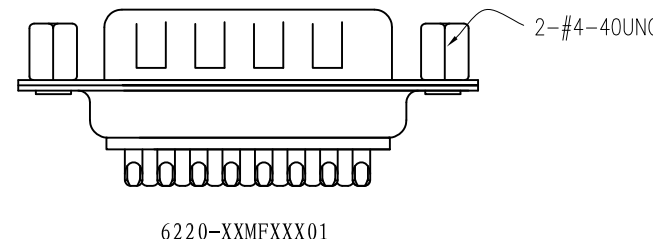
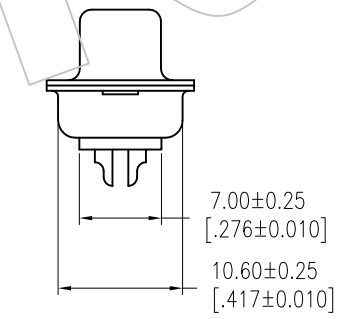
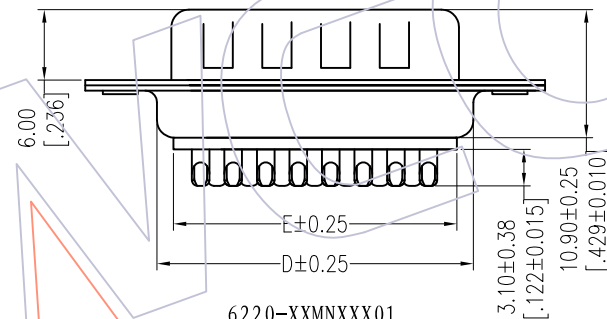
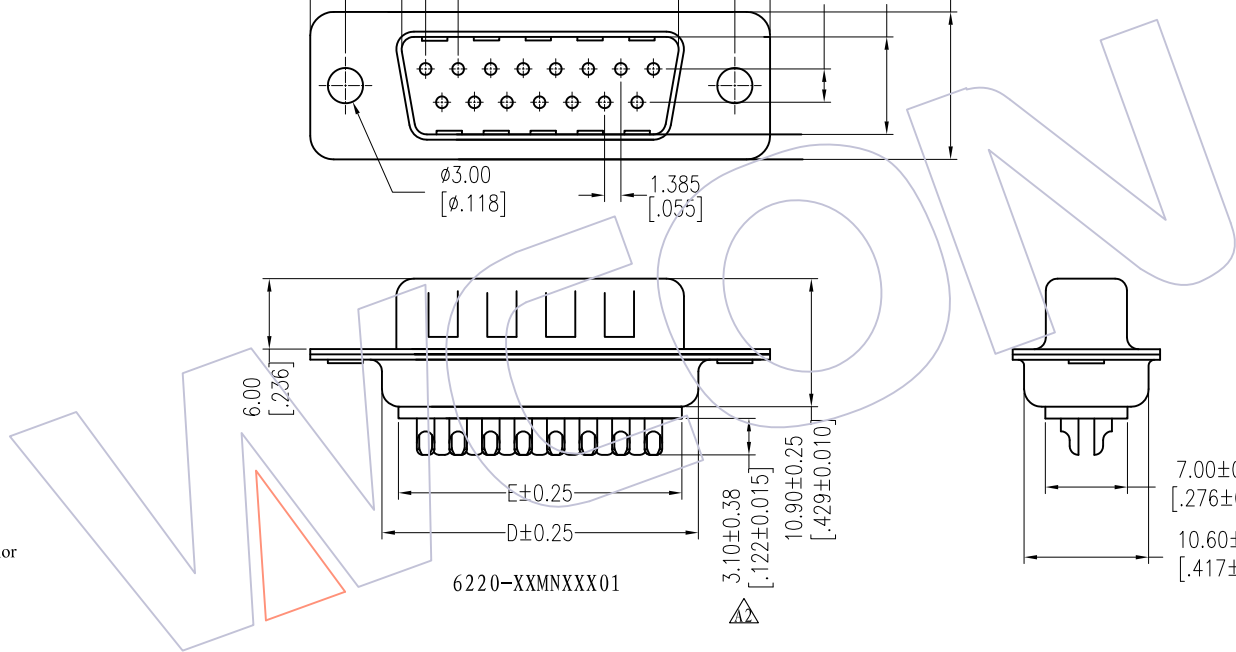


Ordering Information

6220-XX M X XX B 01

No. of Pins	Type	Contact Plating	Insulator Color
9P	B=With Back Nut	S0=Gold Flash/Tin	B:Black
15P	F=With Front Nut	S3=10u"Gold/Tin	U:Blue
25P	N=Without Nut	S4=15u"Gold/Tin	W:White
37P		S5=30u"Gold/Tin	
		SN=Tin	

PINS	DIM "A"	DIM "B"	DIM "C"	DIM "D"	DIM "E"
09	30.81	24.99	16.90	19.00	15.60
15	39.14	33.32	25.30	27.70	24.60
25	53.04	47.04	38.90	41.30	38.20
37	69.50	63.50	53.91	57.30	54.50



REV	DATE	MODIFICATION DESCRIPTION	CHANGE	OPERATION	DRAW	DATE	SCALE	FIT	PART NO.
A3	2015/06/12	Modify The Contact Material	Δ	OPERATION	Allen	2015/06/12	UNIT	mm	6220-XXMXXXB01
A2	2014/06/06	Modify	Δ	x.X ±0.40	CHECK		SIZE	A4	D-SUB MALE DUAL ROW SOLDER TYPE
A1	2014/04/09	Modify	Δ	x.XX ±0.25	APPROVE		SHEET	1/1	Customer NO.
AO	2012/12/03	NEW	-----	x.XXX ±0.15			PROJ.	ϕ	
				Angle ± 3'					
				DIM TOL					

WCON
 Http: www.wcon.com
 WCON-Dongguan Tel: +86 769 85358920 Fax: +86 769 85358915 E-mail: sales@wcon.com
 WCON-Kunshan Tel: +86 512 57468408 Fax: +86 512 57468468 E-mail: salesks@wcon.com