

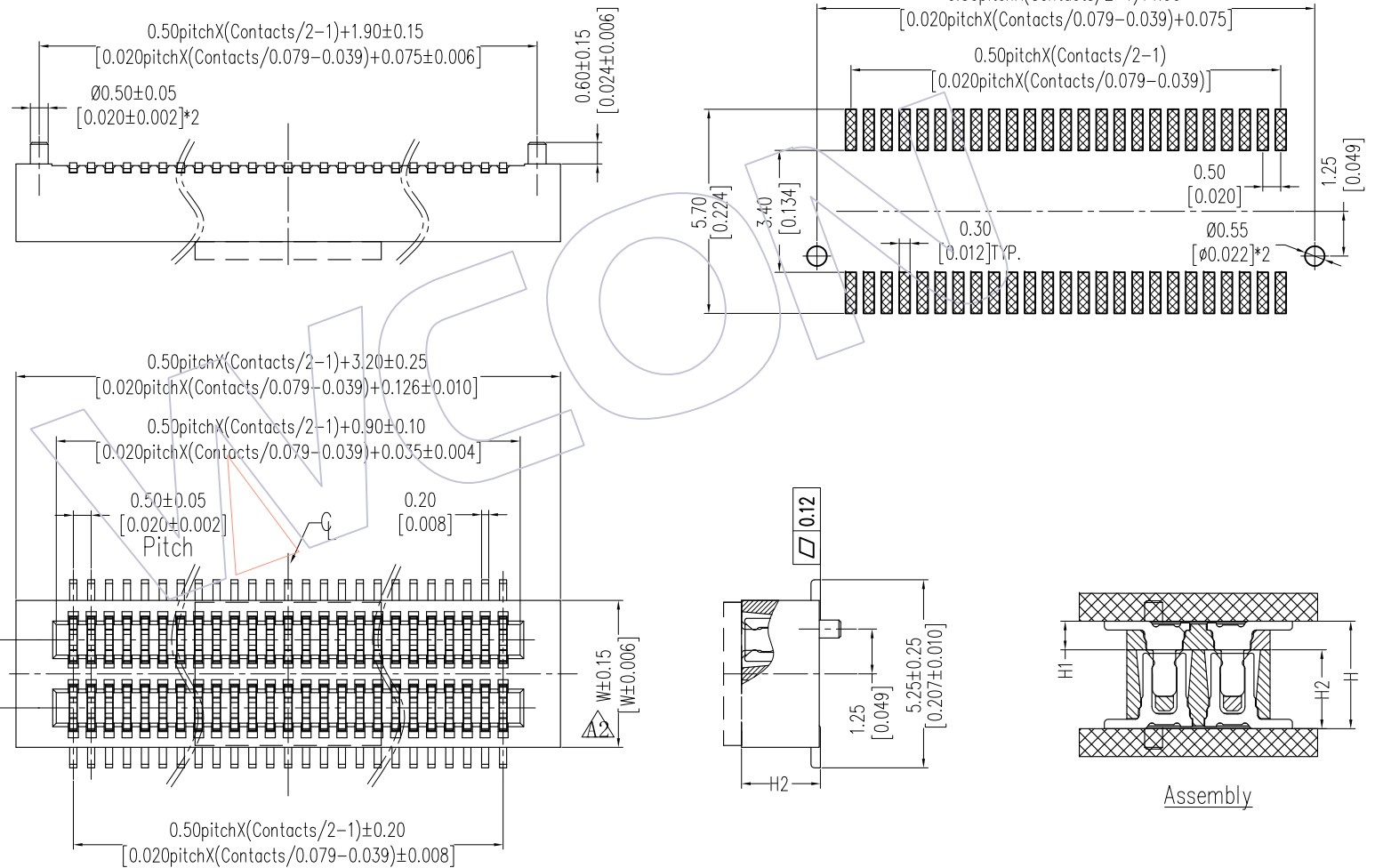
HSF

NOTES:

Current Rating: 0.5A
 Voltage Rating: 50V AC/DC
 Contact Resistance: 50milliohm Max
 Insulation Resistance: 100Megohm Min
 Operation Temperature: -20 °C to +105 °C

Housing Material: PA9T+30%G.F(UL94V-0)
 Contact Material: Phosphor Bronze
 Contact plating: Au or Sn over Ni

Recommended P. C. B Layout (Top Side)
 (PCB BOARD TOLERANCE ±0.05)



Ordering Information

3620-S XXX - XXX XX R 01

No. of Pins Housing High Contact Plating T=Tube
 P=Tube+CAP R=Tape&Reel+CAP

ASS'Y HIGH(H)	PLUG(H1)	SOCKET(H2)	SOCKET(W)
3.00	0.80	2.20	4.40
4.00	1.00	3.00	4.10
4.50	1.50	3.00	
5.00	2.00	3.00	
5.50	1.50	4.00	
6.00	2.00	4.00	
6.50	2.00	4.50	

REV	DATE	MODIFICATION DESCRIPTION	CHANGE	OPERATION	DRAW	DATE	SCALE	FIT	PART NO.
A3	2016/10/26	取消H=2.7高度规格，单独发行图面	△3	OPERATION	DingWenMin	2016/10/26	SCALE	FIT	3620-SXXX-XXXXXR01
A2	2015/02/09	Modify	△2	x.x ±0.40	CHECK	DATE	UNIT	mm	TITLE:
A1	2012/10/12	Modify	△1	x.xx ±0.25	APPROVE	DATE	SIZE	A4	0.50mm B TO B
A0	2012/06/27	NEW	—	x.xxx ±0.15			SHEET	1/1	FEMALE 180° SMT TYPE
				Angle ± 3°			PROJ.		Customer NO.
				DIM TOL					

WCON
 Http: www.wcon.com

WCON-Dongguan WCON-Kunshan
 Tel: +86 769 85358920 Tel: +86 512 57468408
 Fax: +86 769 85358915 Fax: +86 512 57468468
 E-mail: sales@wcon.com E-mail: salesks@wcon.com